

## Features

- Wireless connection to HazardPRO System Manager
- Easily mount where sensors are located
- Reduced Costs / Faster Installations
- No conduit needed
- Intrinsically Safe (I.S.) ETL approved
- 5+ Year battery life on wireless nodes



Standard Node



Node with external antenna port

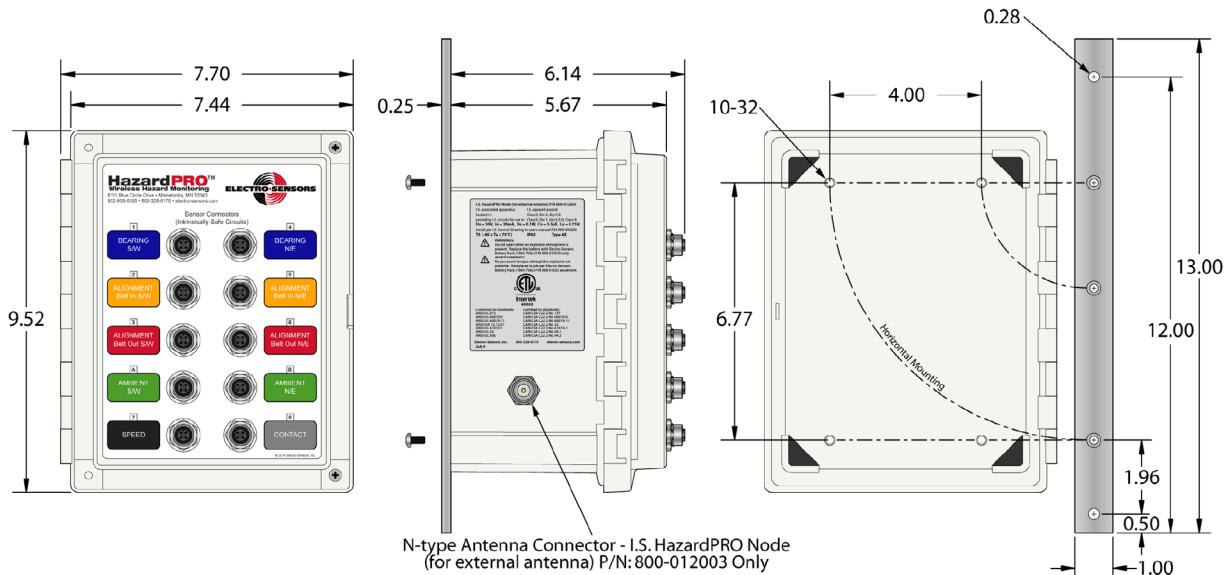
## Description

The HazardPRO Node provides Intrinsically Safe (I.S.) wireless monitoring for up to 10 sensors per node. The Node is integrated into a wireless network that relays information back to a central computer (System Manager). The system is wireless thus allowing reduced costs and faster installations.

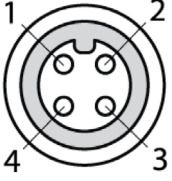
## Application

The Wireless node is mounted near the location of the sensors. The sensors are then connected to the ports on the front side of the node. The node powers the sensors and sends data wirelessly to a central computer (System Manager).

## Dimensions



## HazardPRO Belt Alignment Temperature Sensor

Specifications	
V =	5 - 30 VDC
Shaft speed range	8 → 500 RPM
Operating Temperature (Measurement Probe)	-40 °C → +120 °C (-40 °F → +248 °F)
Radio (internal)	63mW, 2.4GHz, 802.15.4
Antenna connector	N-type female, 50Ω I.S. HazardPRO Node (for ext. antenna) P/N 800-012003
Battery service life	5+ years (typ.) Replace with Electro-Sensors Battery Pack (19Ah 7Vdc) P/N 800-012020
Cable Connector	M12, 4-pin  pin 2 (+) pin 4 (-) pin 1 (N.C.) pin 3 (N.C.) N.C. = not connected

## Customization

The HazardPRO wireless nodes can be configured to the requirements of each installation. When poor reception areas are encountered the use of external antennas can be used to improve reception and complete your wireless system.

## Approvals

### HazardPRO™ Node

- Intrinsically Safe (I.S.) associated apparatus for use in:
  - Class II, Div 2, Groups F, G
- Providing Intrinsically Safe (I.S.) circuits for use in:
  - Class II, Div 1, Groups E, F, G; Class III, Div 1

### HazardPRO™ Sensors

- Intrinsically Safe (I.S.) for use in:
  - Class II, Div 1, Groups E, F, G
  - Class III Div 1



Specifications subject to change without notice.

